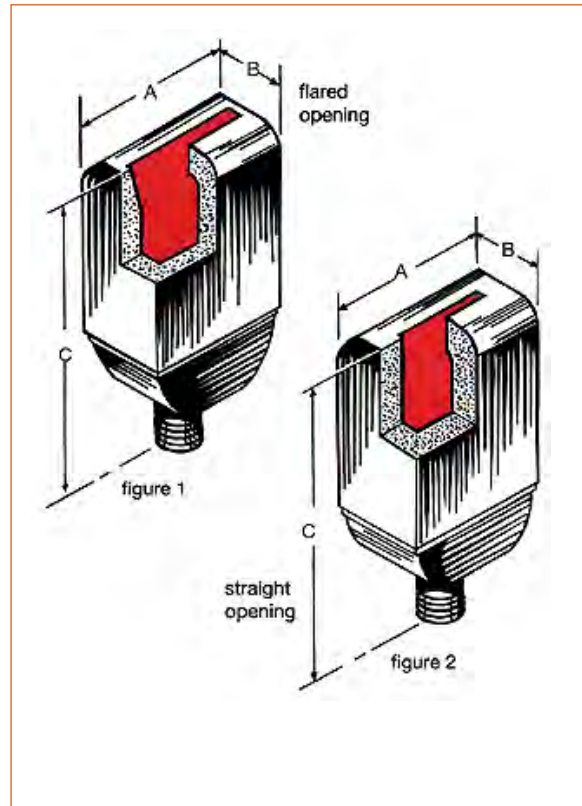
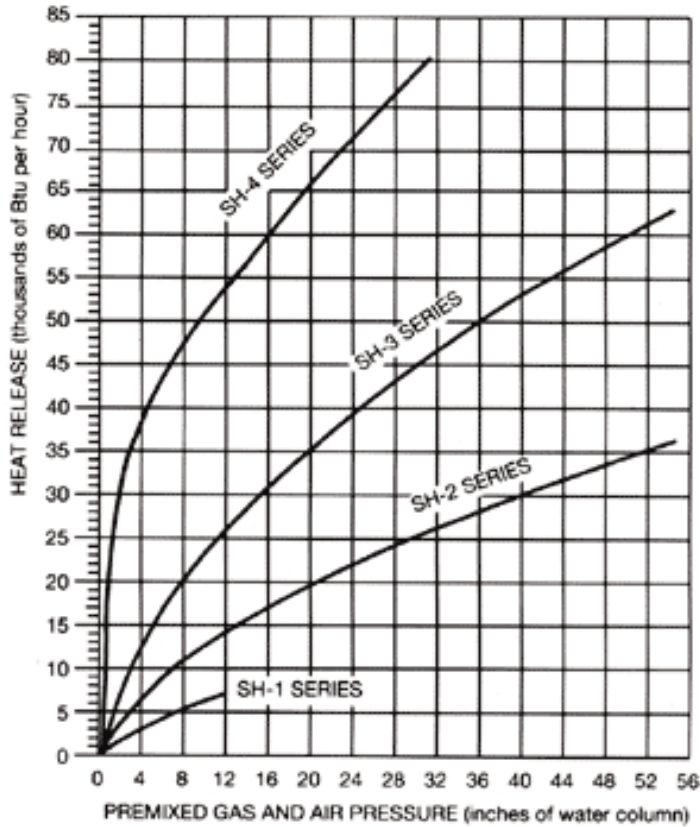


# Superheat™ Burners



## Specifications - Dimensions

Catalog Number	Fig. No.	Blast Opening (inches)	Outside Dimensions (inches)			Pipe Connection (Nominal Size)	
			A	B	C	Male	Female
SH-1-SM	2	1/8 x 3/4	1 1/4	3/4	2 1/2	1/4	-
SH-1-SF	2	1/8 x 3/4	1 1/4	3/4	2 1/2	-	1/8
SH-1-FM	1	1/8 x 1	1 1/4	3/4	2 1/2	1/4	-
SH-1-FF	1	1/8 x 1	1 1/4	3/4	2 1/2	-	1/8
SH-2-SM	2	1/8 x 1 1/8	1 3/4	1 1/8	3 5/8	3/8	-
SH-2-SF	2	1/8 x 1 1/8	1 3/4	1 1/8	3 5/8	-	1/4
SH-2-FM	1	1/8 x 1 3/8	1 3/4	1 1/8	3 5/8	3/8	-
SH-2-FF	1	1/8 x 1 3/8	1 3/4	1 1/8	3 5/8	-	1/4
SH-3-SM	2	3/16 x 1 15/16	2 5/8	1 1/8	3 5/8	3/8	-
SH-3-SF	2	3/16 x 1 15/16	2 5/8	1 1/8	3 5/8	-	1/4
SH-3-FM	1	3/16 x 2 1/4	2 5/8	1 1/8	3 5/8	3/8	-
SH-3-FF	1	3/16 x 2 1/4	2 5/8	1 1/8	3 5/8	-	1/4
SH-4-FF	1	3/16 x 3 1/4	4	1 1/2	3 3/4	-	1/2

Notes: Models SH-3 and SH-4 are available with spark ignition. Add 2 1/2 in. to appropriate outside dimension. Burners are also available with extra-heavy casings for severe applications.