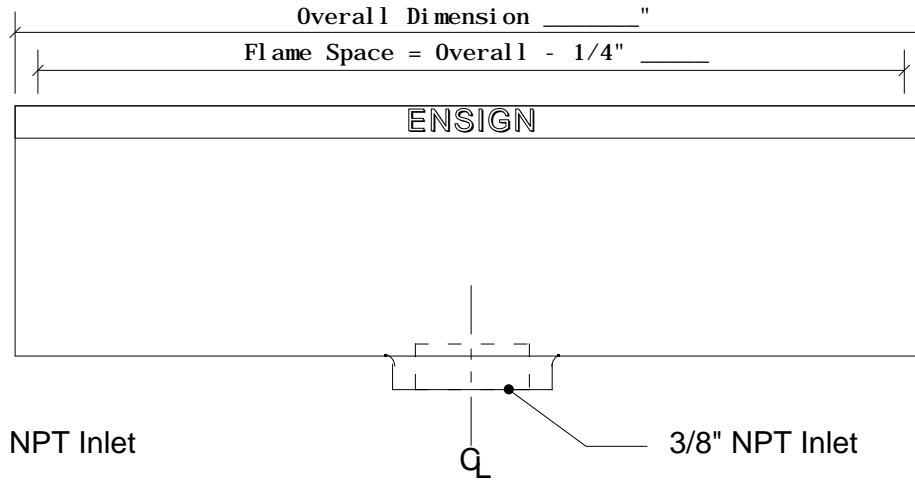
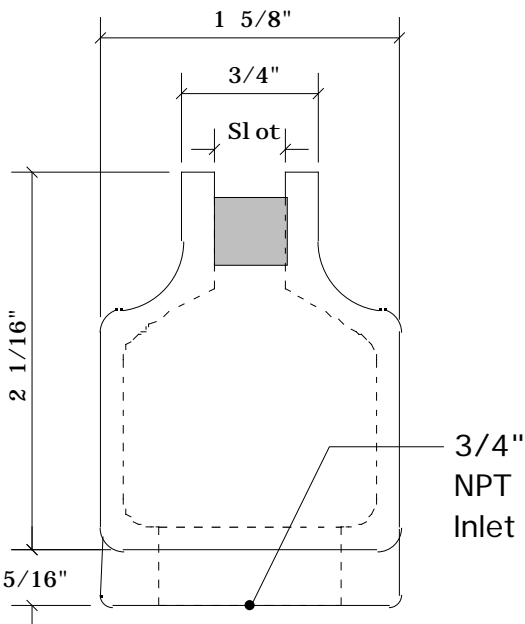


3/8" NPT Inlet

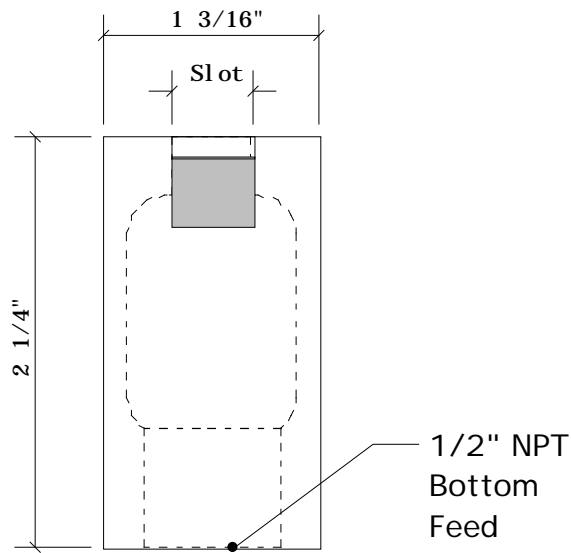


### Special Utility Burners

Part #	Length	Flame Space
150-204-*	2"	1-3/4"
150-202-*	3"	2-3/4"
150-205-4-*	4"	3-3/4"
150-205-5-*	5"	4-3/4"
150-205-6-*	6"	5-3/4"
150-205-7-*	7"	6-3/4"
150-205-8-*	8"	7-3/4"
150-205-9-*	9"	8-3/4"
150-205-10-*	10"	9-3/4"
150-205-11-*	11"	10-3/4"
150-205-12-*	12"	11-3/4"



3/4" NPT Inlet



1/2" NPT Bottom Feed

### Standard Utility Burners

Part #	Length	Flame Space
150-208-*	6"	5-3/4"
150-20-*	8"	7-3/4"
150-207-*	10"	9-3/4"
150-206-*	12"	11-3/4"

### 287 Style burner

Part# Length Ribbon

110-287- \_\_\_\_\_ - \_\_\_\_\_

Basic section is 18" long and can be welded together. Feeds can be placed anywhere on bottom, sides or ends

### Notes:

A) Slot width will vary according to ribbon Specification.

B) \* designates ribbon construction

### Ribbons Available

- 4,6,8 or 12 Row Type V
- 4,6,8 or 10 Row Type A
- 8 Row 1 Port (4+4)
- 11 Row 1 Port (5F5)
- 11 Row 2 Port
- 12 Row 3 Port
- 12 Row 5 Port
- 13 Row 4 Port
- 17 Row 5 Port
- 20 Row 5 Port
- + Specials

**ERB** Ensign Ribbon Burners LLC  
101 Secor Lane Pelham Manor NY 10803

Utility Burners Designations and Dimensions