

VALVES THREADED BUTTERFLY MOTORIZED PACKAGE

MODEL: 1316-TBV-CMAP-J

Revision: 0

BULLETIN
1316

DESCRIPTION

The TBV-CMAP-J motor operated butterfly valves are used for modulating air and gas flows for most types of combustion systems. A unique "O"-Ring seal prevents leakage around the shaft. Available from 3/4" to 4" pipe sizes. The motor is directly coupled to the valve stem eliminating the need for a linkage.

The motor rotates through a 90° arc. Disc position is indicated by a pointer on the actuator motor relative to the slot on the valve stem.

The motor should be wired according to the manufacturer's installation instructions so that proper rotation is achieved. Coupler on actuating motor can be used to limit stroke. The TBV-CMAP-J includes the butterfly valve and motor mounting brackets.



CAPACITY TABLE

Model Number	Pipe Size NPT (in.)	SCFH Air Wide Open Capacity at 1" W.C. Pressure Drop
6TBV-CMAP-J	3/4	770
8TBV-CMAP-J	1	1,900
10TBV-CMAP-J	1-1/4	2,600
12TBV-CMAP-J	1-1/2	3,100
16TBV-CMAP-J	2	6,300
20TBV-CMAP-J	2-1/2	8,500
24TBV-CMAP-J	3	13,000
32TBV-CMAP-J	4	28,000

FEATURES

- Economical automatic flow control valve
- For most fuel gases and air
- Double bearing shaft - positive alignment
- "O"-Ring sealed shaft
- Disc position indicator
- Cast iron body and steel disc (6TBV steel body and steel disc)
- Easily adjustable
- Directly coupled to shaft

CAUTION: Operation of combustion equipment can be hazardous resulting in bodily injury or equipment damage. Each burner should be supervised by a combustion safeguard and only qualified personnel should install, make system adjustments and perform any required service.



PYRONICS

A Selas Heat Technology Brand

11012 Aurora Hudson Road
Streetsboro, OH 44241
Email: sales@selas.com

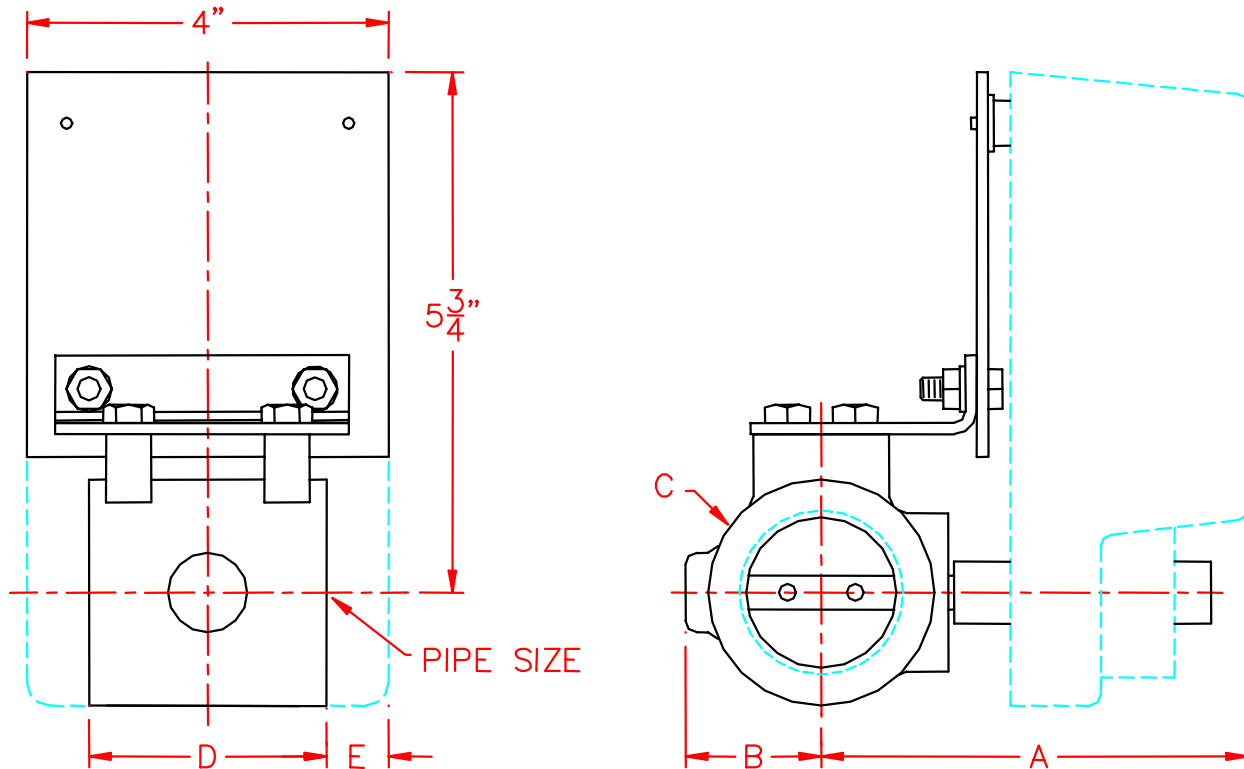
Toll Free: 800-883-9218
Main: 216-662-8800
Fax: 216-663-8954

NOTICE: PYRONICS practices a policy of continuous improvement in the design of its products. It reserves the right to change the specifications at any time without prior notice.

VALVES THREADED BUTTERFLY MOTORIZED PACKAGE

BULLETIN 1316
PAGE NO. 2

DIMENSIONS



Model Number	Pipe Size NPT (in.)	A	B	C	D	E	Weight	
							Lbs.	Kgs.
6TBV-CMAP-J	3/4	3-3/4	1-1/2	1-3/4 HEX	2-1/2	3/4	5.0	2.3
8TBV-CMAP-J	1	4-1/2	1-3/8	2 HEX	2-5/8	3/8	5.5	2.5
10TBV-CMAP-J	1-1/4	4-1/2	1-3/8	2-1/4 HEX	2-5/8	3/8	6.0	2.7
12TBV-CMAP-J	1-1/2	4-1/2	1-1/2	2-1/2	2-5/8	11/16	6.0	2.7
16TBV-CMAP-J	2	4-3/4	1-3/4	3	3	1/2	7.0	3.2
20TBV-CMAP-J	2-1/2	5-1/4	2-1/8	3-7/8	3-1/2	1/4	10.0	4.5
24TBV-CMAP-J	3	5-1/2	2-1/2	4-1/2	3-7/8	1/16	13.0	5.9
32TBV-CMAP-J	4	6	4	5-3/8	4-1/4	----	13.0	5.9

NOTE: All dimensions are in inches.

ORDERING INFORMATION

1. Specify Model Number and Quantity
2. Specify Motor Required
3. Shipping Instructions